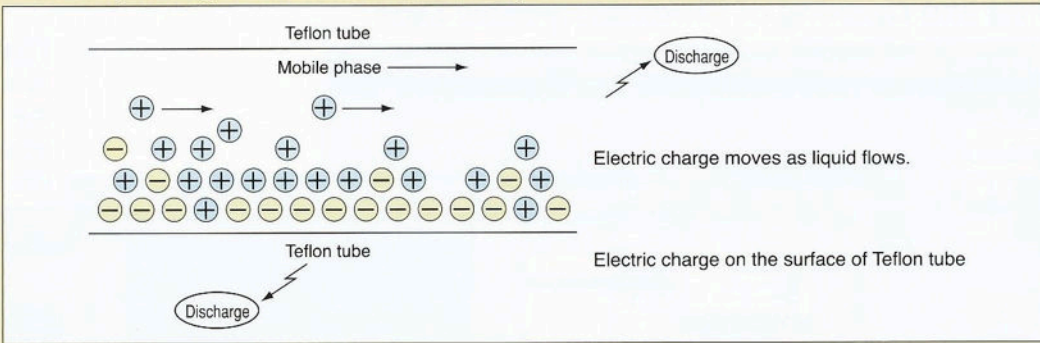


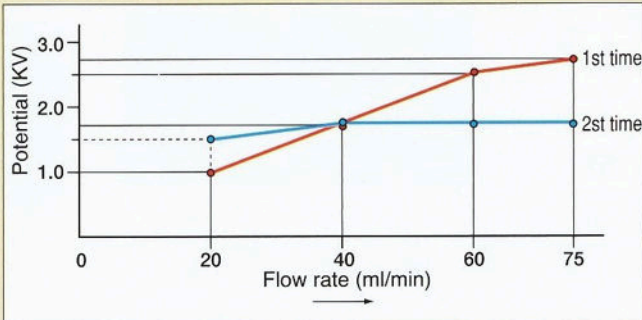
## Protection from Static Electricity

### Mobile phase generates static electricity.



### Electric Potential Generated at Column with Increasing Flow Rate

Column: Silica Gel packed Hi-Flash L-size  
Liquid: Hexane



### Potential Generated at Tube per Hour

